



Hangcha Europe GmbH

Mariechen-Graulich-Straße 12a,
65439 Flörsheim am Main,
Germany

Tel: 0049-61453769188
E-mail: admin@hangchaeurope.com

Mob: 0049-16096548808 (Thomas Dittrich)
E-mail: thomas.dittrich@hangchaeurope.com
Zip Code Area (1,2,3,4,5,6,7)

Mob: 0049-1605272481 (Jens Abmuth)
E-mail: jens.assmuth@hangchaeurope.com
Zip Code Area (0,8,9)

www.hangchaeurope.com



Follow us on
Instagram



Follow us on
Facebook



Follow us on
YouTube



Download "Hangcha
Forklift" App



ISO14001
ISO14001:2015



ISO9001
ISO9001:2015



HANGCHA trucks conform
to the European Safety
Requirements.

2021 VERSION 1/COPYRIGHT 2021/08

HANGCHA GROUP CO., LTD. reserves the right to make any changes without notice concerning colors, equipment, or specifications detailed in this brochure, or to discontinue individual models. The colors of trucks, delivered may differ slightly from those in brochures.



AE Series Electric Forklift

with capacities of 1,500 to 3,500kg

The World of Hangcha



AE Series Electric Forklift

Independently developed by Hangcha on the basis of more than 30 years of electric forklift research and development and accumulated manufacturing technology, the AE series electric forklifts are a new series of high-efficiency and energy-saving electric counterweight forklifts with a new structure that represents a breakthrough over the traditional design concept. The research and development of control and power systems are innovated and the product exterior, ergonomics, reliability, maintenance and other aspects are optimized, so that the performance of the vehicle is greatly improved.

Appearance

- / With a profile formed by a combination of straight lines and streamlined curved surfaces, the truck is compact and maneuverable and has simple and sturdy appearance.

Comfort

- / The cover is sealed with a good effect of rain resistance.
- / The enlarged brake pedal and appropriate regenerative braking function can effectively reduce the driver's fatigue.
- / The wide-view mast with optimized design is unlikely to obstruct the operator's sight. The enlarged opening size of the fork carriage enables a wider view.



Maintenance

- / The front-opening hood design makes charging and maintenance easier.
- / The electric control parts, fuse, etc. can be accessed easily and maintained without tools.
- / The side-mounted oil tank facilitates liquid level check and oil addition.

Stability

- / The center of gravity is moved back by placing the battery at the rear of the truck, it can ensure the longitudinal stability.

Advancement

- / The Y2 (Enpower controller) series uses 80V voltage system, both the traction and oil pump use permanent magnet synchronous motors, which have high efficiency, strong power and low energy consumption.
- / The controller, oil tank and pump motor are all placed at the front to enable small pipeline length and less energy loss.
- / The high-frequency MOSFET integrated controller ensures smooth and accurate traveling and lifting control, and has excellent speed regulation performance, good performance of electronic control matching the motor, functions of regenerative braking, reverse braking and anti-sliding on ramps, etc., and high safety and reliability.

Safety

- / The optional lowering lock function can improve the safety greatly when the driver leaves the seat.
- / The soft landing and electronic control lifting buffering (Opt.) are all provide to protect goods effectively.
- / The handbrake can be optionally equipped with an alarm buzzer to prompt the driver to pull up the handbrake before leaving the truck.



The truck is ergonomically designed to provide a good view and a large operating space



Both the traction and oil pump adopt permanent magnet synchronous motors for the Enpower controller



The battery can be removed from the rear enables the battery to be replaced more flexibly (Only for the lead-acid battery)



Multifunctional color screen instrument with graphical interface design is simple and intuitive for operator



Battery is placed at the rear of the truck



Standard Specification

- / Duplex mast
- / Silent gear pump
- / Multi-function color-screen instrument
- / LED headlight
- / Integral rubber pedal pad
- / Dual multi-way valve
- / Stamping front pedal
- / Integral ABS boarding pedal
- / Integral stamped side panel and hood
- / Soft landing
- / Speed mode selection
- / DC-DC converter
- / Emergency power off switch
- / Reverse buzzer
- / Load sensing steering system
- / Traction pin
- / Rearview mirror

Options

- / Large-capacity battery
- / Charger
- / Left and right rear view mirrors
- / Reverse armrest
- / Widening or heightening load backrest
- / Forks of other lengths
- / Rear work light
- / Front dual tire
- / Super elastic solid tire
- / Non mark solid tire
- / Triple multi-way valve
- / Quadruple multi-way valve
- / Built-in sideshifter
- / Other attachments
- / Maintenance-free lead carbon battery
- / PVC transparent canopy
- / PVC transparent cover plate for the battery lifting port on the overhead guard
- / Front windshield
- / Cab
- / Warning light
- / Blue light
- / OPS system

Lead-acid specification						
Capacity (Ah/5h)	1.5-mini2t 80V (AEY2)	1.5-mini2t 48V (AEJ2/D2/D1)	2.0-2.5t 80V (AEY2)	2.0-2.5t 48V (AEJ2/D2/D1)	3.0-3.5t 80V (AEY2)	3.0-3.5t 80V (AEJ2/D2/D1)
220 (lead acid)	●	—	—	—	—	—
240 (lead acid)	○	—	—	—	—	—
300 (lead acid)	○	—	●	—	—	—
350 (lead acid)	—	—	○	—	—	—
400 (lead acid)	—	—	—	—	●	—
420 (lead acid)	—	●	—	—	—	—
440 (lead acid)	—	—	—	—	○	—
480 (lead acid)	—	—	—	—	○	●
500 (lead acid)	—	○	—	—	—	—
640 (lead acid)	—	—	—	●	—	—
660 (lead acid)	—	—	—	○	—	—

● Std. ○ Opt. — Null.

Lithium specification			
Capacity (Ah/5h)	1.5-mini2t 80V	2.0-2.5t 80V	3.0-3.5t 80V
125 (Lithium)	●	—	—
202 (Lithium)	○	●	—
271 (Lithium)	○	○	●
404 (Lithium)	—	○	○
542 (Lithium)	—	—	○

● Std. ○ Opt. — Null.



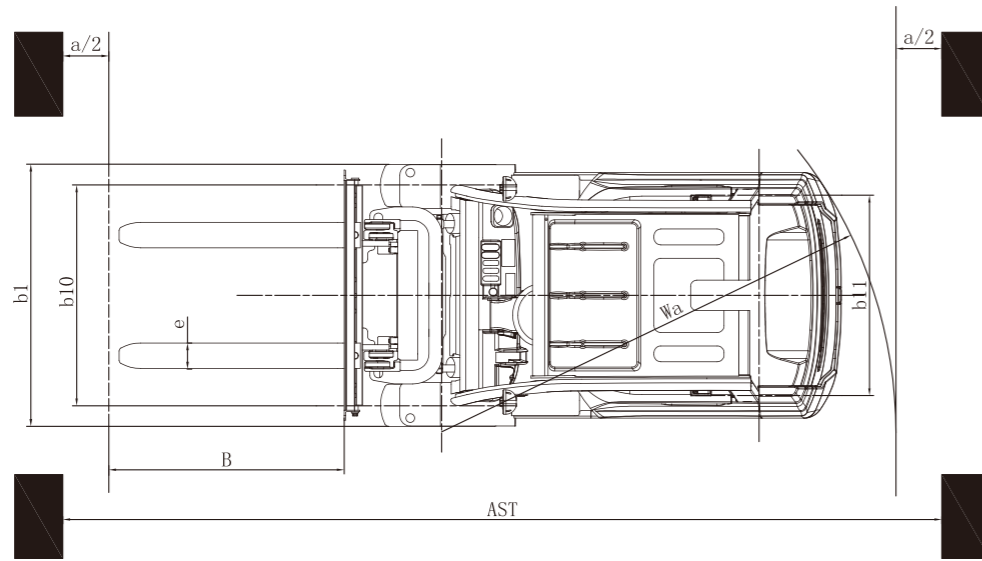
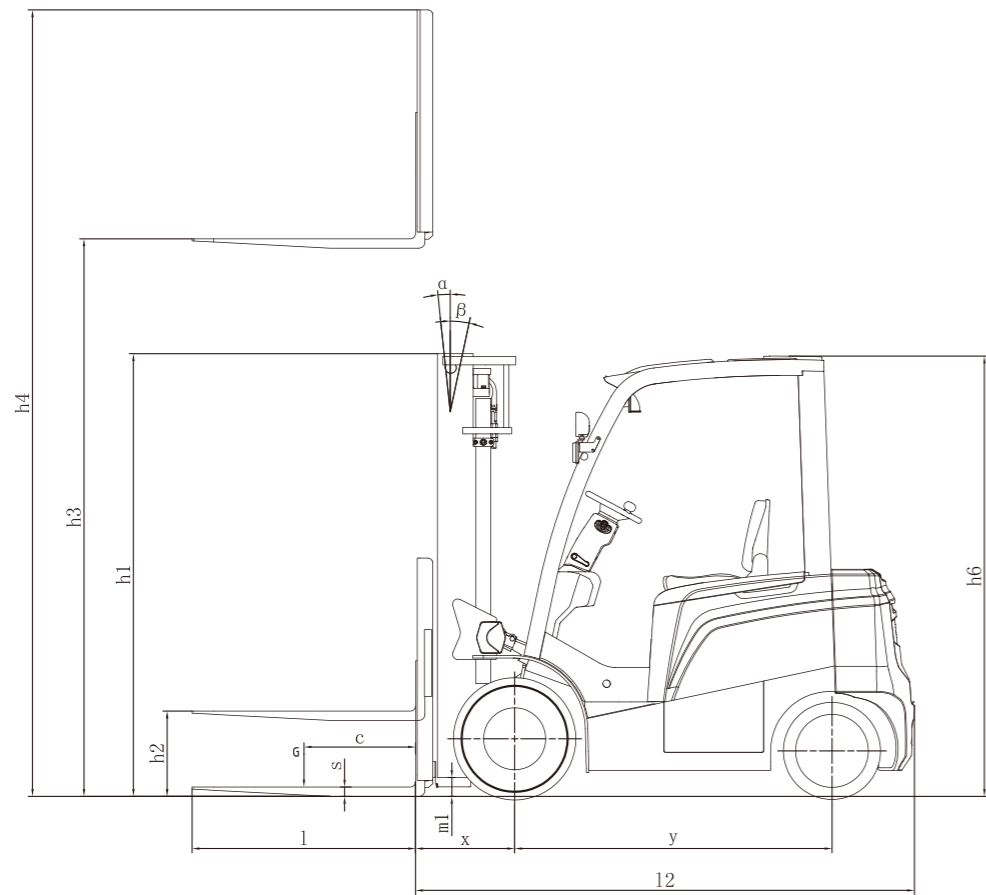


1.5t AE Series Mast Specification

Type	Model	Lifting height	Lowered overall height	Overall height		Free lifting height		Tilting range	Capacity(Mast vertical to ground)	
				Without backrest	With backrest	Without backrest	With backrest		Load center@500mm	
				mm	mm	mm	mm	mm	mm	FWD/BWD
Duplex wide view mast	XPD15M200	2000	1475	2538	2955	135	135	6/12	1500	1500
	XPD15M250	2500	1725	3038	3455	135	135	6/12	1500	1500
	XPD15M270	2700	1825	3238	3655	135	135	6/12	1500	1500
	XPD15M300	3000	1975	3538	3955	135	135	6/12	1500	1500
	XPD15M330	3300	2125	3838	4255	135	135	6/12	1500	1500
	XPD15M350	3500	2225	4038	4455	135	135	6/12	1500	1500
	XPD15M360	3600	2325	4138	4555	135	135	6/12	1500	1500
	XPD15M370	3700	2375	4238	4655	135	135	6/12	1500	1500
	XPD15M400	4000	2575	4538	4955	135	135	6/12	1500	1500
	XPD15M430	4300	2725	4838	5255	135	135	6/6	1500	1500
	XPD15M450	4500	2825	5038	5455	135	135	6/6	1500	1500
Duplex full-free mast	XPD15M480	4800	2975	5338	5755	135	135	6/6	1400	1500
	XPD15M500	5000	3075	5538	5955	135	135	6/6	1350	1400
	XPD15U200	2000	1490	2559	2945	931	545	6/6	1500	1500
	XPD15U250	2500	1740	3059	3445	1181	795	6/12	1500	1500
	XPD15U270	2700	1840	3259	3645	1281	895	6/12	1500	1500
	XPD15U300	3000	1990	3559	3945	1431	1045	6/12	1500	1500
	XPD15U330	3300	2140	3859	4245	1581	1195	6/12	1500	1500
	XPD15U350	3500	2240	4059	4445	1681	1295	6/12	1500	1500
Triplex full-free mast	XPD15U360	3600	2290	4159	4545	1731	1345	6/12	1500	1500
	XPD15U370	3700	2340	4259	4645	1781	1395	6/12	1500	1500
	XPD15U400	4000	2540	4559	4945	1981	1595	6/12	1500	1500
	XPD15N430	4300	2040	4869	5255	1481	1095	6/6	1500	1500
	XPD15N450	4500	2090	5069	5455	1531	1145	6/6	1500	1500
	XPD15N480	4800	2240	5369	5755	1681	1295	6/6	1400	1500
	XPD15N500	5000	2340	5569	5955	1781	1395	6/6	1400	1450
Triplex full-free mast	XPD15N550	5500	2540	6069	6455	1981	1595	3/6	1250	1350
	XPD15N600	6000	2790	6600	6955	2200	1845	3/6	1100	1150

AE Series Lead-acid Battery Forklift

	Manufacturer (abbreviation)	HANGCHA GROUP CO.,LTD.																																												
		CPD15-AEY2	CPD15-AEJ2/D2	CPD15-AED1	CPD18-AEY2	CPD18-AEJ2/D2	CPD18-AED1	CPD20-AEY2	CPD20-AEJ2/D2	CPD20-AED1	CPD20-AEY2	CPD20-AEJ2/D2	CPD20-AED1	CPD25-AEY2	CPD25-AEJ2/D2	CPD25-AED1	CPD30-AEY2	CPD30-AEJ2/D2	CPD30-AED1	CPD35-AEY2	CPD35-AEJ2/D2	CPD35-AED1																								
Distinguishing mark	1.1	Manufacturers type designation																																												
	1.2	Drive: electric (battery or mains), diesel, petrol, fuel gas	Electric						Electric						Electric						Electric																									
	1.3	Operator type: hand, pedestrian, standing, seated, order-picker	Seated						Seated						Seated						Seated																									
	1.4	Load capacity/rated load	Q (kg)		1500						1800						2000						2500						3000						3500											
	1.5	Load centre distance	c (mm)		500						500						500						500						500																	
	1.6	Load distance, centre of drive axle to fork	x (mm)		405						410						415						444						477.5						482.5											
	1.7	Wheelbase	y (mm)		1430						1430						1430						1520						1520						1650						1650					
Weight	2.1	Service Weight	kg		2760		2890		3040		3040		3300		3270		3480		3660		4000		3950		4430		4650		4950		5050															
	2.2	Axle loading, laden front/rear	kg		3800/500		3790/600		4290/550		4310/530		4700/600		4730/540		4820/660		4880/780		5800/700		5780/660		6630/800		6730/920		7590/860		7650/900															
	2.3	Axle loading, unladen front/rear	kg		1370/1430		1330/1560		1350/1560		1360/1680		1420/1880		1450/1820		1580/1900		1640/2020		1770/2230		1730/2220		1890/2540		1950/2700		2030/2920		2100/2950															
Tyres, chassis	3.1	Tyres: solid rubber, superelastic, pneumatic, polyurethane	Pneumatic						Pneumatic						Pneumatic						Pneumatic						Pneumatic																			
	3.2	Tyre size, front	6.00-9NHS-10PR						21X8-9-16PR						21X8-9-16PR						23X9-10-16PR						23X9-10-16PR						28X9-15-14PR						28X9-15-14PR							
	3.3	Tyre size, rear	5.00-8NHS-10PR						5.00-8NHS-10PR						5.00-8NHS-10PR						18X7-8-14PR						18X7-8-14PR						18X7-8-16PR						18X7-8-16PR							
	3.4	Wheels, number front rear (X = driven wheels)	2x/2						2x/2						2x/2						2x/2						2x/2						2x/2													
	3.5	Tread, front	b10 (mm)		888						938						938						1058						1058						1009						1009					
	3.6	Tread, rear	b11 (mm)		897.5						897.5						897.5						960						960						960						960					
Dimensions	4.1	Tilt of mast/fork carriage forward/backward	α/β(°)		6/12						6/12						6/12						6/12						6/12						6/12											
	4.2	Height, mast lowered	h1 (mm)		1975						1975						1975						2001						2001						2165						2165					
	4.3	Free lift	h2 (mm)		135						135						140						140						140						145						145					
	4.4	Lift	h3 (mm)		3000						3000						3000						3000						3000						3000						3000					
	4.5	Height, mast extended	h4 (mm)		3955						3955						3955						4040						4040						4159						4159					
	4.6	Height of overhead guard STD.	h6 (mm)		2080						2080						2080						2100						2100						2178						2178					
	4.7	Seat height/stand height	h7 (mm)		1090						1090						1090						1115						1115						1182						1182					
	4.8	Coupling height	h10 (mm)		285						285						285						308						308						317						317					
	4.9	Overall length	l1 (mm)		3125						3130						3135						3430						3430						3662						3662					
	4.10	Length to face of forks	l2 (mm)		2205						2210						2215						2360						2360						2587						2592					
	4.11	Overall width	b1 (mm)		1120						1138						1138						1260						1260						1241						1241					
	4.12	Fork dimensions	s/e/l (mm)		35×100×920						35×100×920						40×100×920						40x122x1070						40x122x1070						45x125x1070						50x125x1070					
	4.13	Fork carriage DIN 15173 --- ISO 2328, class/type A,B	ISO 2328 2A						ISO 2328 2A						ISO 2328 2A						ISO 2328 2A						ISO 2328 2A						ISO 2328 3A						ISO 2328 3A							
	4.14	Fork-carriage width	b3 (mm)		1000						1000						1000						1100						1100						1100						1100					
4.15	Distance between fork-arms	b5 (mm)		240/1000						240/1000						240/1000						290/1100						290/1100						290/1100						290/1100						
4.16	Ground clearance, laden, below mast	m1 (mm)		95						95						95						120						120						135						135						
4.17	Ground clearance, centre of wheelbase	m2 (mm)		100						100						100						125						125						134						134						
4.18	Aisle width for pallets 1000 × 1200 crossways	Ast (mm)		3655						3660						3660						3794						3794						4057.5						4062.5						
4.19	Aisle width for pallets 800 x 1200 lengthways	Ast (mm)		3855						3860						3860						3994						3994						4257.5						4262.5						
4.20	Turning radius	Wa (mm)		2050						2050						2050						2150						2150						2380						2380						
Performance data	5.1	Travel speed, laden/unladen	km/h		13.5/14						13.5/14						13.5/14						14/14						14/14						14/14						14/14					
	5.2	Lift speed, laden/unladen	mm/s		280/430		280/430		250/430		280/430		280/430		250/430		280/430		280/430		250/430		280/400		280/400		250/400		280/400		280/400		250/400													
	5.3	Lowering speed, laden/unladen	mm/s		500/430						500/440						500/440						500/430						500/440						470/420						470/420					
	5.5	Max. Drawbar pull, laden/unladen	N		7000		7000		7000		7000		7000		7000		11000		11000		11000		11000		13000		13000		13000		13000															
	5.7	Max. gradeability, laden/unladen	%		15/15						15/15						15/15						15/15						15/15						15/13						15/15					
	5.9	Service brake	Hydraulic						Hydraulic						Hydraulic						Hydraulic						Hydraulic						Hydraulic						Hydraulic							
5.10	Parking brake	Mechanical						Mechanical						Mechanical						Mechanical						Mechanical						Mechanical						Mechanical								
Electric-engine	6.1	Drive motor rating S2 60 min	kW		6AC		8AC		6AC		8AC		6AC		8AC		9AC		11AC		9AC		11AC		11AC		15AC		11AC		15AC															
	6.2	Lift motor rating at S3 15%	kW		5AC		8.6AC		8.2DC		5AC		8.6AC		8.2DC		5AC		8.6AC		8.2DC		7AC		8.6AC		8.6DC		7AC		8.6AC		8.6DC													
	6.3	Battery acc. to DIN 43 531/35/36 A,B,C, no	no						no						no						no						no						no													
	6.4	Battery voltage, nominal capacity K5	V/Ah		80/220		48/420		80/220		48/420		80/220		48/420		80/300		48/640		80/300		48/640		80/400		80/480		80/400		80/480															
	6.5	Battery weight	kg		700		735		700		735		700		735		880		1000		880		1000		1080		1250		1080		1250															
	6.6	Battery dimensions	mm		812x920x483		812x920x483		812x920x483		812x920x483		812x920x483		812x920x483		852×1035×483		852x1035x513		852×1035×483		852x1035x513		825×1165×543		825×1165×543		825×1165×543		825×1165×543															
Addition data	7.1	Type of drive control	MOSFET/AC						MOSFET/AC						MOSFET/AC						MOSFET/AC						MOSFET/AC						MOSFET/AC													
	7.2	Manufacturer	Y2		Enpower		/		Enpower		/		Enpower		/		Enpower		/		Enpower		/		Enpower		/		Enpower		/															
			J2		/		HANGCHA		/		HANGCHA		/		HANGCHA		/		HANGCHA		/		HANGCHA		/		HANGCHA		/		HANGCHA															
			D1、D2		/		INMOTION		/		INMOTION		/		INMOTION		/		INMOTION		/		INMOTION		/		INMOTION		/		INMOTION															
	7.3	Model	Y2		MC3336-A850		/		MC3336-A850		/		MC3336-A850		/		MC3336-A850		/		MC3336-A850		/		MC3336-A850		/		MC3336-A850		/															
			J2		/		HC-B1		/		HC-B1		/		HC-B1		/		HC-B2;HC-B1		/		HC-B2;HC-B1		/		HC-C3;HC-C2		/		HC-C3;HC-C2															
D2			/		ACS48S-350C-35P;ACS48S-350C-23P		/		ACS48S-350C-35P;ACS48S-350C-23P		/		ACS48S-350C-35P;ACS48S-350C-23P		/		ACS48S+-450C-35P;ACS48S-350C-23P		/		ACS48S+-450C-35P;ACS48S-350C-23P		/		ACS80M-440C-35P;ACS80M-330C-23P		/		ACS80M-440C-35P;ACS80M-330C-23P																	
D1			/		ACS48S-350C-35P;HP 48/350		/		ACS48S-350C-35P;HP 48/350		/		ACS48S-350C-35P;HP 48/350		/		ACS48S+-450C-35P;HP 48/500		/		ACS48S+-450C-35P;HP 48/500		/		ACS80L-440C-35P;HP 80/500		/		ACS80L-440C-35P;HP 80/500																	
8.1		MPa		18.5						18.5						18.5						18.5						18.5																		
8.4	Towing coupling, type DIN	Φ 24 Pin						Φ 24 Pin						Φ 24 Pin						Φ 24 Pin						Φ 24 Pin																				



AST = $a + W_a + x + B$ $a < 200\text{mm}$

